

OMEGA Specification Data

ENGINE

- Cummins QSM11-C335 electronic 6 cylinder low emission diesel
- Heavy duty air cleaner with restriction indicator and safety element
- Engine protection system monitors oil pressure, water level and temperature
- Sealed 75 amp alternator, high charge at low RPM

TRANSMISSION AND DRIVE AXLE

- Dana (Clark) TE27 electronic powershift transmission
- 4 speeds forward and reverse
- APC200 fully automatic electronic shift control provides forward/reverse interlock and downshift protection
- Planetary style, wide drive axle with integral oil cooled wet disc brakes

BRAKE SYSTEM

- Fully hydraulic operation
- Oil cooled, wet disc service brakes
- Brake system oil constantly cooled and filtered
- Accumulator provides emergency applications in the event of engine failure
- Fail safe park brake system - spring applied, oil pressure released - applied through dry brake disc acting on drive axle input

STEERING SYSTEM

- Hydrostatic system provides effortless, reliable control - four steering wheel revolutions from lock to lock
- Heavy duty, welded beam design steer axle protects steer cylinder
- Single, transverse mounted steer cylinder acting through fixed links - no adjustment required
- Centralised lubrication of oscillation pins
- One piece rim clamping flange provides wheel nut and stud protection

HYDRAULIC SYSTEM

- Two tandem gear pumps with suction screen protection
- 10 micron filtration on return
- Lowering control valves provide controlled lowering under all conditions
- Accumulator in lift circuit provides shock load protection
- Twin hose overmast improves reliability
- Carriage mounted hydraulic manifold with LED power indication for clear trouble shooting

ELECTRICAL SYSTEM

- 24 V system supplied by 2 x 12 V 300 Ah batteries
- Clip in relays for fast field replacement
- Push button reset, circuit breaker protection
- Central electrical box module mounted in cab
- Harness in protective conduit with colour and numeric code for easy circuit identification
- Back-up alarm automatically adjusts to ambient noise
- Full light kit including stop, tail and turn indicators
- Container handling light package

OPERATORS CABIN

- Spacious, rear mounted cab designed for low noise
- Pillarless, tinted glass provides superior visibility
- Fully adjustable steer column and ergonomically arranged controls and instruments
- Joystick provides control for lift/tilt, side shift, and fork positioning and horn trigger on one lever
- Audio-visual warning system
- Luxury suspension seat with retractable seat belt
- Front, rear and roof wipers and washers
- Mirror kits
- Integrated air conditioning (optional)

SERVICEABILITY

- Power module contains radiator, engine, transmission and hydraulics mounted on a skid for easy removal
- Service compartments contain roll out battery
- Spin on filter assemblies
- Heavy duty, dual element Donaldson air cleaner with cyclonic pre-cleaner
- Gas strut assisted hoods and bonnets
- Quick detach panel assemblies
- Centralised lubrication system on mast and steer axle

INTEGRAL GANTRIES

- Half height or full height
- Automatic mechanical pile slope
- Optional powered pile slope

20' - 40' TOP AND BOTTOM LIFT ATTACHMENTS

- Floating twistlocks
- Electrical and mechanical twistlock indicators
- Hydraulic extendible and retractable to handle both 20' and 40' containers
- Automatic twistlock operation
- Twin cylinders provide slew and outreach and single cylinder for side shaft
- Optional 30' or 35' stops
- Optional chains for bottom lift capability
- Optional integral intermodal top/bottom lift frame
- Optional Integral Flexipick 20/40 Overheight Half Height attachment

SAFETY FEATURES

- Lift cutout in event twistlocks not fully locked or unlocked
- Lower cutout reduces stress on attachment and mast
- Stability monitor indicates stable retract, back tilt and lift height condition
- Speed limited when laden
- Transmission is disengaged on park brake application

OPTIONAL EQUIPMENT

- Air conditioning
- Weight gauge
- Observers' seat
- Catalytic muffler
- Remote lift chain lubrication
- OMEGAWATCH monitoring system

E Series

Dedicated Container Handlers

Models
42E - 54E DCH
32T - 40T @ 1680mm LC

Features

- Cummins QSM11 electronic engine
- Dana (Clark) electronic TE27 transmission
- APC200 electronic transmission control
- Pillarless glass cab
- Wet disk brakes, oil cooled
- Engine protection system
- Joystick servo controls
- Centralised lubrication
- Outstanding visibility
- Safety interlocks
- Lift circuit accumulator
- OMEGAWATCH system (optional)

OMEGA

MEGASTACKER



MODEL 54E DCH



EMPTY STACKERS



TERMINAL TRACTORS



REACH STACKERS



STRADDLE CARRIERS



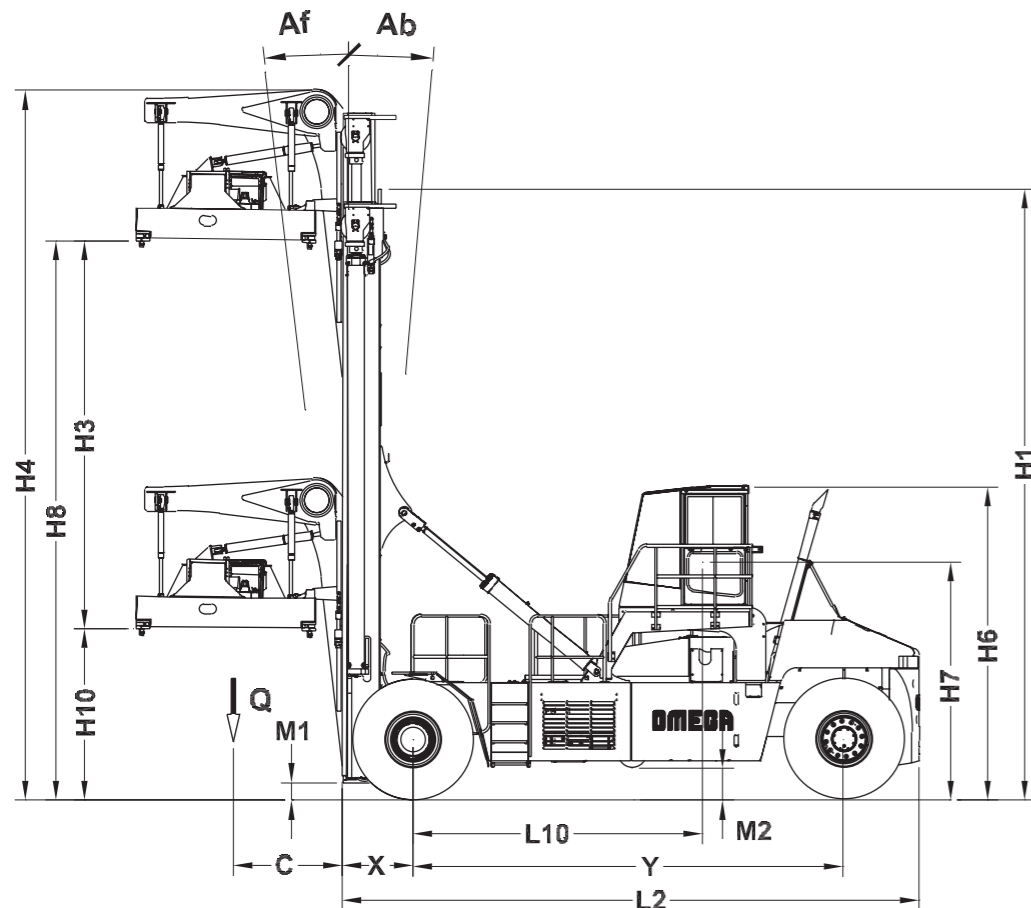
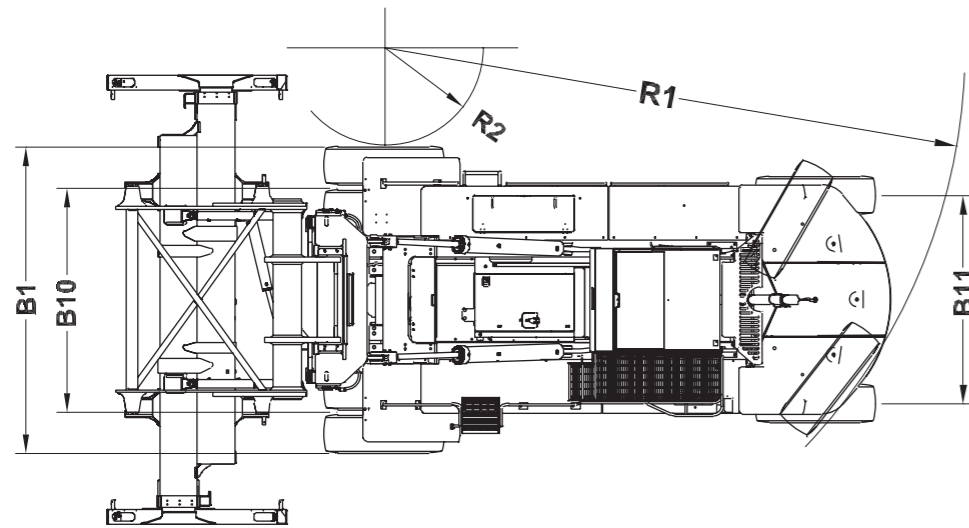
RO RO FORK LIFT TRUCKS

Designed and manufactured by
Clark Equipment Australia Pty Ltd – Heavy Equipment Division
 30 Salisbury Road (PO Box 50) Hornsby NSW 2077 Australia
 Ph: +61 2 9477 8446 • Fax: +61 2 9476 2241
 Email: omega@clarkequipment.com • Website: www.clarkequipment.com



OMEGA

MEGASTACKER



Spec	1 MANUFACTURER				OMEGA					2					
	2 MODEL	Ref	Manufacturers designation		42E	44E	48E	50E	54E						
3	LOAD CAPACITY	Q	Nominal capacity with spreader	kg	32000	34000	35000	36000	40000	3					
4	LOAD CENTRE	C	Retracted / Extended	mm	1460 / 1690					4					
9	UPRIGHT	H3	Standard lift	mm	10000					9					
11		H8	Lift height under twistlocks	mm	12300					11					
	ATTACHMENT		Type		Telescopic 20'/40' with hydraulic slew ± 3°, reach 230 mm, sideshift ±400 mm, mechanical pile slope ± 6°										
14	TILT OF UPRIGHT	Af/Ab	Forward / backward	deg	2 / 6					14					
15	OVERALL DIMENSIONS	L2	Length to load face	mm	7057			7757		15					
16		B1	Width	mm	4118					16					
17		H1	Height, upright lowered	mm	8215					17					
18		H4	Height, upright extended (upright only)	mm	14340 (13052)					18					
19		H6	Height, cabin	mm	4244					19					
20		H7	Height, seat	mm	3085					20					
		L10	Distance, seat	mm	3100			3800							
21	TURNING RADIUS	R1 / R2	Internal / External	mm	7168 / 961			8161 / 1529		21					
22	LOAD FACE DISTANCE	X	Centre of drive axle to load face	mm	944					22					
23	AISLE WIDTH 90°	Ast	with container 20' / 40'	mm	12045 / 15200			12450 / 15130		23					
24	SPEEDS		Travel - laden / unladen	km/h	23 / 25					24					
25			Lifting - laden / unladen	m/s	0.25 / 0.28					25					
26			Lowering - laden / unladen	m/s	0.4 / 0.3					26					
28	DRAWBAR PULL MAX.			kN	362					28					
29	GRADEABILITY @ 1.6 km/h		Laden	%	23					29					
30	GRADEABILITY MAX.		Laden	%	31					30					
32	SERVICE WEIGHT			kg	69988	72850	72488	69188	72188	32					
33	AXLE LOADING		Laden - front / rear	kg	90857	11131	93800	11688	95271	12217	93876	11312	99534	12654	33
34			Unladen - front / rear	kg	43773	26215	43773	27715	43773	28715	42955	26233	42955	29233	34
35	TYRES		Number - front / rear		4 / 2					35					
36			Size - front		1800x25 / 40PR	1800x25 / 40PR	1800x25 / 40PR	1800x25 / 40PR	1800x25 / 40PR	1800x25 / 40PR	36				
37			Size - rear		1600x25 / 32PR	1800x25 / 40PR	1800x25 / 40PR	1600x25 / 32PR	1800x25 / 40PR	1800x25 / 40PR	37				
38	WHEEL BASE	Y		mm	5100			5800		38					
39	TREAD	B10 / B11	Centre lines tyres - front / rear	mm	3018 / 2600					39					
40	GROUND CLEARANCE	M1	Laden - minimum	mm	241					40					
41		M2	Laden - middle of wheel base	mm	441					41					
42	SERVICE BRAKE		Type - brake wheels		Wet disc brakes - driven wheels					42					
43	PARKING BRAKE		Type - brake wheels		Spring applied, hydraulic released - driven wheels					43					
45	BATTERY		Voltage / capacity	V/Ah	24 / 300					45					
	FUEL TANK		Litres	l	590			940							
	HYDRAULIC TANK		Litres	l	565			720							
49	I.C. ENGINE		Manufacturer / type		Cummins QSM11-335					49					
50			Rated output SAE J1349	kW	250					50					
51			Rated speed SAE J1349	rpm	2100					51					
52			No. of cylinders / displacement	cm³	6 / 10800					52					
			Max. Torque at engine speed	Nm @ rpm	1702 / 1400										
55	TRANSMISSION		Series / speeds		Dana (Clark) TE27 Electronic Powershift Transmission 4F / 4R					55					
	OPTIONAL ENGINE/TRANSMISSION		Make Model, Kw/rpm, torque/rpm												
57	OPERATING PRESSURE		For attachments	bar	200					57					
58	SOUND LEVEL		Measured in accordance with AS3713	dB(A)	80					58					
59	TIP UP FACTOR		With rated load mast vertical		1.74	1.73	1.74	1.76	1.76	59					

GANTRY TYPE	MAST LIFT HEIGHT	CONTAINER STACKING		HEIGHT UNDER TWISTLOCKS		MAXIMUM OVERALL HEIGHT		EMPTY AND LADEN AXLE WEIGHT VARIATION FROM STANDARD (SEE LINES 33 AND 34 ABOVE)			
		QTY	CONTAINER HEIGHT	MIN	MAX	LOWERED	RAISED	FRONT		REAR	
								H3	H10	H8	H1
FULL HEIGHT	7500	3	10' 0"	2300	9800	6965	11840	deduct	1190	add	100
	10000	4	9' 6"	2300	12300	8215	14340	add	0	add	0
	13000	5	9' 6"	2300	15300	9715	17340	add	1420	deduct	130
HALF HEIGHT	7500	3	8' 6"	1160	8660	6965	10552	deduct	2420	add	320
	10000	4	8' 6"	1160	11160	8215	13052	deduct	1250	add	220
	13000	5	8' 6"	1160	14160	9715	16052	add	170	add	110

Note: Dimensions and weights shown are for units equipped with full height integral gantry and attachment.

Note: OMEGA container handlers are designed and manufactured to be operated in accordance with AS2359, AS4972 and ISO10525 (elevated load).