

Waste & Storage Bins Forklift Tipping Bins

Type CSD Tipping Bin

The economical CSD bin is a self dumping bin suitable for most waste handling applications. This bin is supplied standard with 4 crane lugs and upending lugs under.

It is also fitted with a drain plug and wheel brackets (wheels not supplied unless ordered). Being a nesting bin, it uses a minimum of space for storage and transport. Available in either painted or galvanised finish.

- Safe Working Load: 1500 kg
- Crane Lugs
- Drain Plug

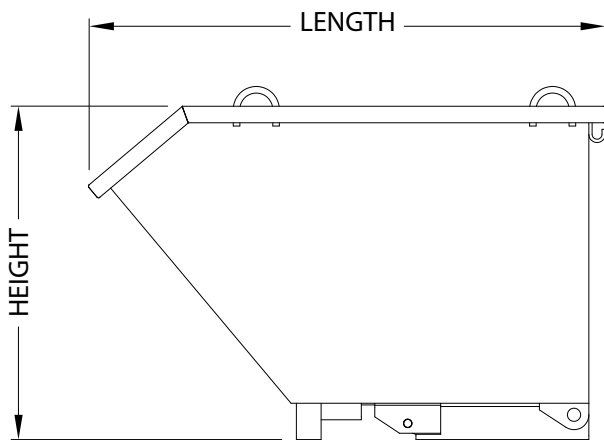
Options Available:

- Rubber or Cast Iron Wheels



CSD 12

Type	Capacity (cu. m)	Width (mm)	Length (mm)	Height (mm)	Fork Pocket Size (mm)	Fork Pocket Centres (mm)	Unit Weight (kg)
CSD 9	0.95	1010	1570	1010	185 x 75	380	180
CSD 12	1.25	1310	1570	1010	185 x 75	680	205



CSD 12 + Wheels

CSD 12 Stacked